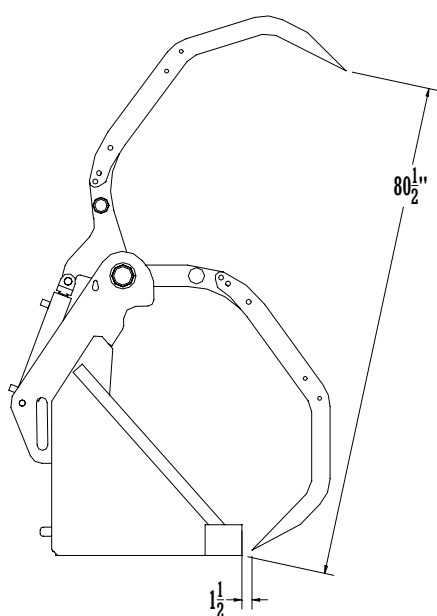
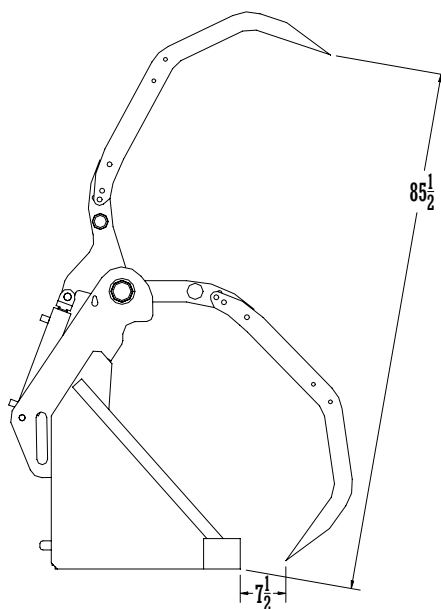


Grapple Specifications

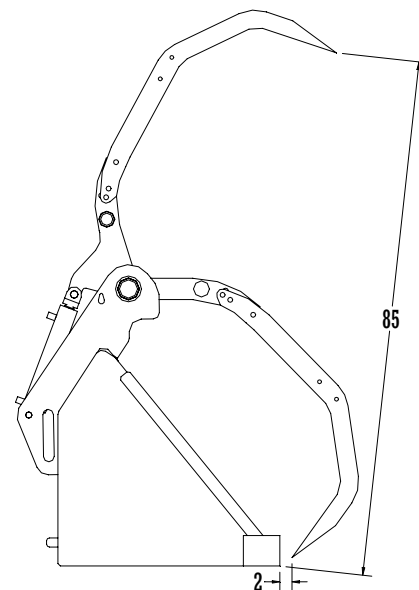
GRAPPLE	Applicable Loaders	Adjustable Closing Gap?	No. of Cylinders	No. of Tines	Width between Outermost Tines	Tine Material	Weight
GF4X	P-12, GL25, GP25, GL30, GP30	Yes	2	4	72"	3/4 Gr. 50 Steel	640#
GF4W	P-12, GL25, GP25, GL30, GP30	Yes	2	4	83"	3/4 Gr. 50 Steel	655#
GF3X	P-12, GL25, GP25, GL30, GP30	Yes	1	3	60"	3/4 Gr. 50 Steel	485#
GF3XU	G15, G20	Yes	1	3	60"	5/8 Gr. 50 Steel	455#



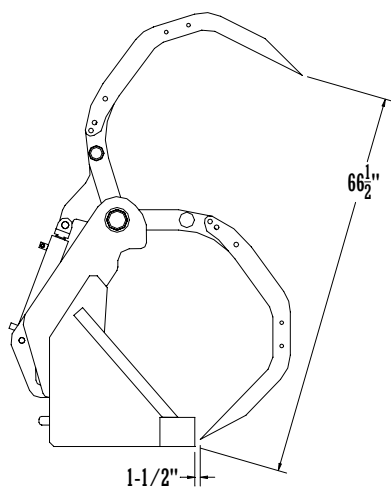
**NARROW GAP SETTING
STANDARD BUCKET**
GF4X, GF4W, GF3X Grapples



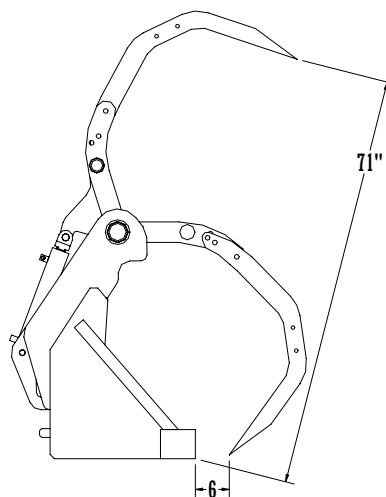
**WIDE GAP SETTING
STANDARD BUCKET**
GF4X, GF4W, GF3X Grapples



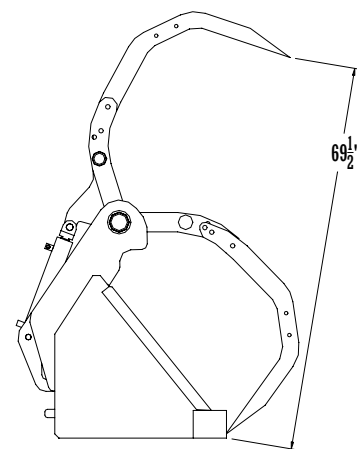
**WIDE GAP SETTING
HIGH CAPACITY BUCKET**
GF4X, GF4W, GF3X Grapples



**NARROW GAP SETTING
STANDARD BUCKET**
GF3XU Grapple



**WIDE GAP SETTING
STANDARD BUCKET**
GF3XU Grapple



**WIDE GAP SETTING
HIGH CAPACITY BUCKET**
GF3XU Grapple